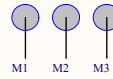
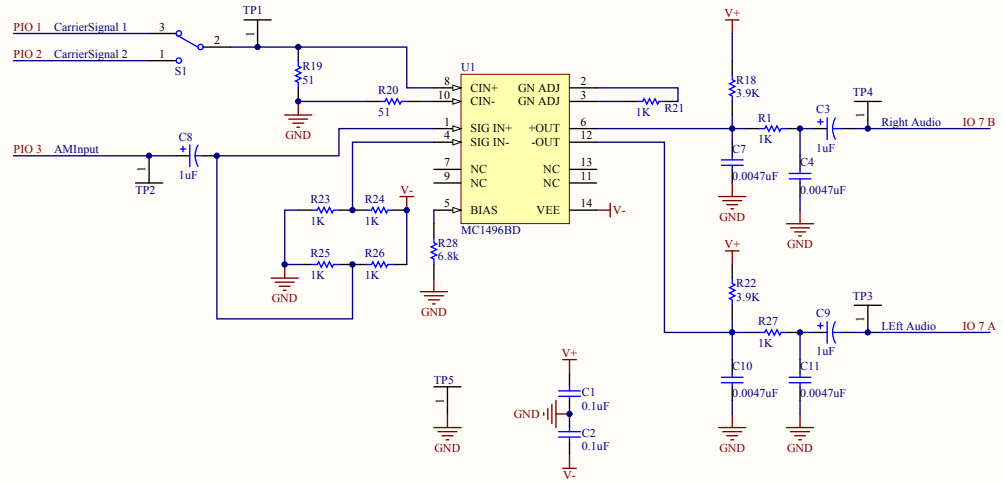


P1	
1	V+
2	V+
3	RF3
4	GPIO 1 In
5	RF 1 Out
6	RF 2 Out
7	GPIO 2 In
8	GPIO 3 In
9	VCC
10	VCC
11	RF4
12	GPIO 4 In
13	GPIO 5 In
14	GPIO 1 Out
15	GPIO 2 Out
16	GPIO 3 Out
17	V-
18	V-
19	RF5
20	RF6
21	RF 1 In
22	RF 2 In
23	GPIO 4 Out
24	GPIO 5 Out
C1	LeftAudioOut
C2	RightAudioOut
C3	LeftAudioIn
C4	RightAudioIn
C5	

DVI Panel Mount Male



Title		
Size	Number	Revision
B		
Date:	2/28/2010	Sheet of
File:	C:\Projects\AMDemodulator.SchDoc	Drawn By: